

Type:	Cassette HD with PLC splitters	REV: 1.0
Date:	20/05/2021	BZ
Modification:		
Reference:	XM-, see ref.system below	

Passive Optical Network

Cassette HD with PLC splitters

Splitters made in the PLC technology placed in the HD fibre cassette allow dividing of optical power with minimal excess loss. The type and number of splitters in the cassette are customized to match customer's requirements. The modular design and Plug&Play solution ensures simple installation and fits into a single slot in the HD chassis. The cassette can be fitted with up to 12 SC simplex, LC duplex and E2000 simplex adapters.



*illustrative photo

APPLICATION FIELDS:

- ✓ FTTH access networks
- ✓ HFC and cable networks
- ✓ Other optical telecommunication networks

FEATURES AND ADVANTAGES:

- ✓ Low insertion loss
- ✓ High attenuation uniformity
- ✓ Low excess losses
- ✓ Operating range 1260-1650 nm
- ✓ Cassette height: 1/2U
- ✓ Splitters and adapters types according to customer needs

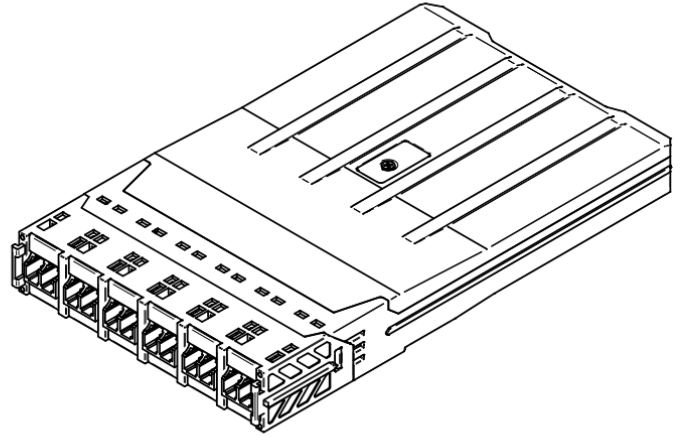
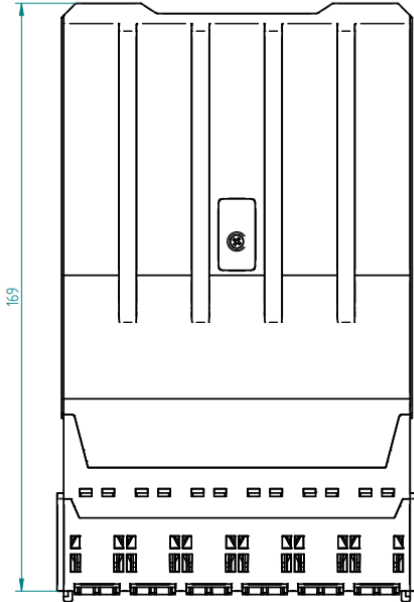
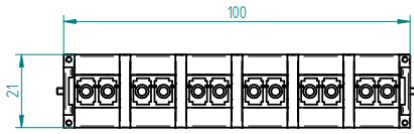
TECHNICAL SPECIFICATIONS:

Parameter	Unit	Value						
		1x2	1x3	1x4	1x6	1x8	1x12	1x16
Max. insertion loss(with connectors)	dB	4.1	6.6	7.5	9.7	10.8	12.6	14.0
Max. attenuation nonuniformity (with connectors)	dB	0.6	0.6	0.6	0.8	0.8	1.0	1.0
Max. PDL	dB	0.2	0.2	0.2	0.2	0.2	0.2	0.2
Max. number of splitters in HD cassette ¹	SC/SCA/ E2/E2A	4	3	2	1	1	-	-
	LC/LCA	8	6	4	3	2	1	1
Min. return loss	dB	55						
Min. directivity	dB	55						
Spectral operating range	nm	1260 – 1650						
Temperature operating range	°C	-40/+85						
Fiber type		G.657.A2						
Dimensions	mm	169 x 100 x 21						

¹ Customized splitters configurations on request

Type:	Cassette HD with PLC splitters	REV: 1.0
Date:	20/05/2021	BZ
Modification:		
Reference:	XM-, see ref.system below	

Passive Optical Network



ORDERING INFORMATION:

Series	Quality	Fiber type	Split ratio	Type	Operating range	Power distribution	Input connector	Output connector
XM	G0	2 - G.657.A2	0412 – 4x1/2	P - PLC	F – full band	EVEN – symmetrical	SCA	SCA
			0812 – 8x1/2				SC	SC
			0313 – 3x1/3				LCA	LCA
			0613 – 6x1/3				LC	LC
			0214 – 2x1/4				E2A	E2A
			0414 – 4x1/4				E20	E20
			0116 – 1x1/6				XX – none	XX - none
			0316 – 3x1/6					
			0118 – 1x1/8					
			0218 – 2x1/8					
			0012 – 1x1/12					
			0016 – 1x1/16					

Example reference: XM-G0-2-0812-P-F-EVEN-SCA-SCA – Cassette HD equipped with 8 PLC splitters 1x2, SC/APC input and output connectors

Important notice

Buyer and/or user of this product has to make sure before using this product that it is suitable for the intended use. All questions of liability relating to this product are subject – in accordance with the prevailing – to the Term of Sale of the selling Fibrain subsidiary.