

Optical Elements- PON

Optical splitters in LGX casing

02



Optical splitters in LGX casing

Fibrain LGX solutions facilitate easy management of optical passive elements installed in telecommunication and providers networks. Additional chief asset is very easy extension as well as flexibility of demanded configuration adjustment.

LGX products offer possibility of mounting within one frame integrated FBT and PLC splitters, combiners.

Applications:

- WDM systems,
- telecommunication networks,
- CATV networks,
- optic amplifiers,
- measuring equipment,
- metropolitan networks.

Features:

- easy management of PON elements,
- clear description of PON elements installed,
- easy extension and development,
- dedicated and hybrid solutions.

LGX casing:		
Type	LGX1	LGX2
Height [mm]		100
Depth [mm]		158.50
Width [mm]	29	58
Mounting	19" lub 21"	
Color	RAL7035*	

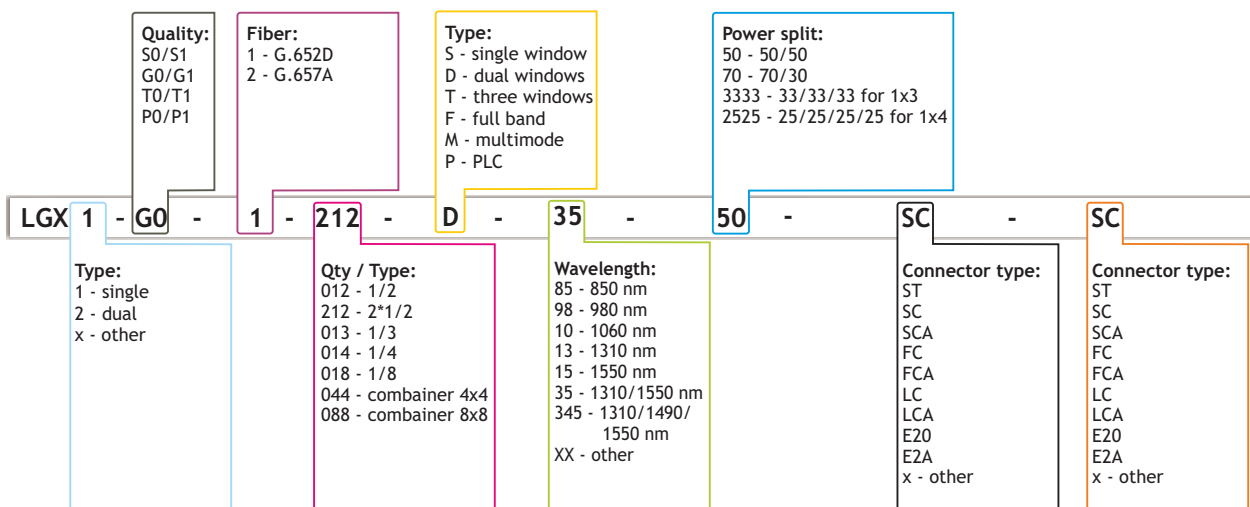
*Other colors available on request

Shelves options for LGX modules:				
Type	Height [mm]	Depth [mm]	Width [mm]	Color
LGX-1U-3-P	43.70	53.40	483	RAL7035*
LGX-2U-6-P	89	70	483	RAL7035*
LGX-3U-14-P	132	40	483	RAL7035*
LGX-4U-14-P	178	70	483	RAL7035*
LGX-1U-3-R	43.70	180	483	RAL7035*
LGX-2U-6-R	89	197	483	RAL7035*
LGX-3U-14-R	132	197	483	RAL7035*
LGX-4U-14-R	187	197	483	RAL7035*



026

Fiber Optical Cables
Optical Elements - PON



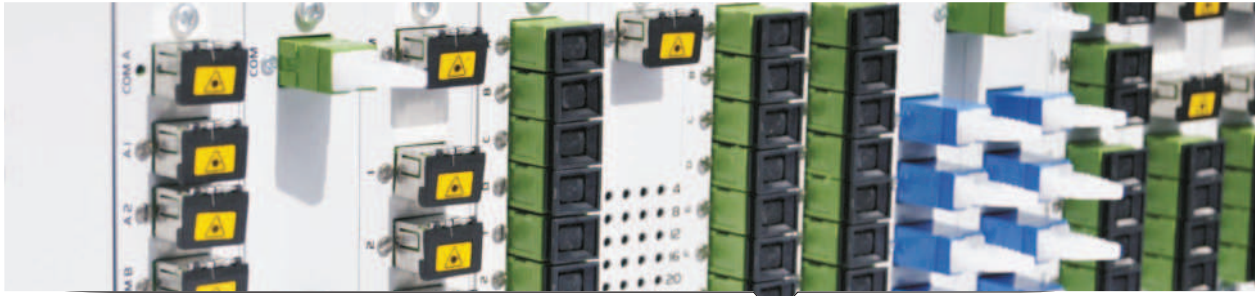
LGX1-G0-1-212-50-MUX-35-SC-SC

Example: Optical splitter in single width LGX, 2x1/2, dual window (1310/1550 nm), power split 50%, SC connectors.

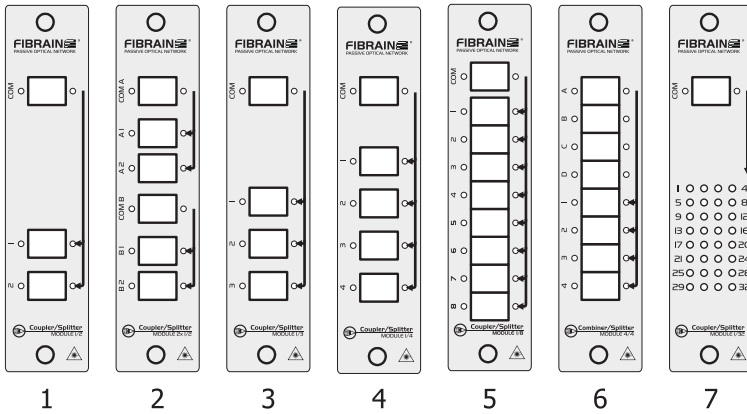
Optical Elements - PON

PON Solution in LGX casing

02



LGX Modules with installed splitters - examples

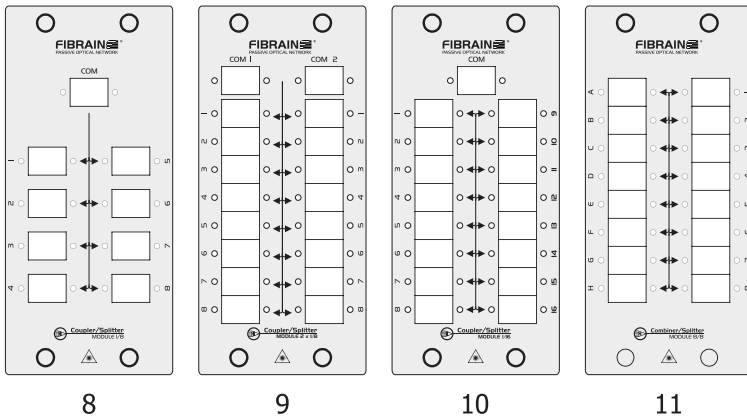


LGX1 Modules Examples:

1. Module LGX1 splitter 1/2
2. Module LGX1 splitter 2 x 1/2
3. Module LGX1 splitter 1/3
4. Module LGX1 splitter 1/4
5. Module LGX1 splitter 1/8
6. Module LGX1 combiner 4/4
7. Module LGX1 splitter 1/32

LGX2 Modules Examples:

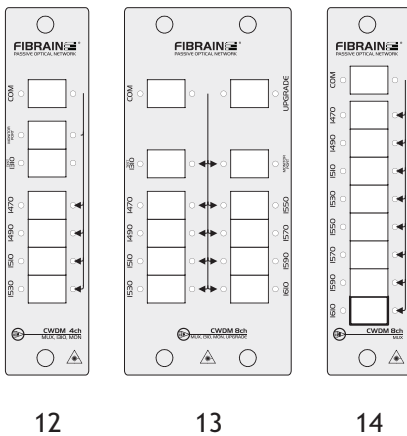
8. Module LGX2 splitter 1/8
9. Module LGX2 splitter 2 x 1/8
10. Module LGX2 splitter 1/16
11. Module LGX2 combiner 8/8



LGX2 Modules Examples:

12. Module LGX1 CWDM 4ch + 1310 nm + Port monitor
13. Module LGX2 CWDM 8ch + 1310 nm + Port monitor + Upgrade
14. Module LGX1 CWDM 8ch

* Available another solutions.



027

Fiber Optical Cables
Optical Elements - PON